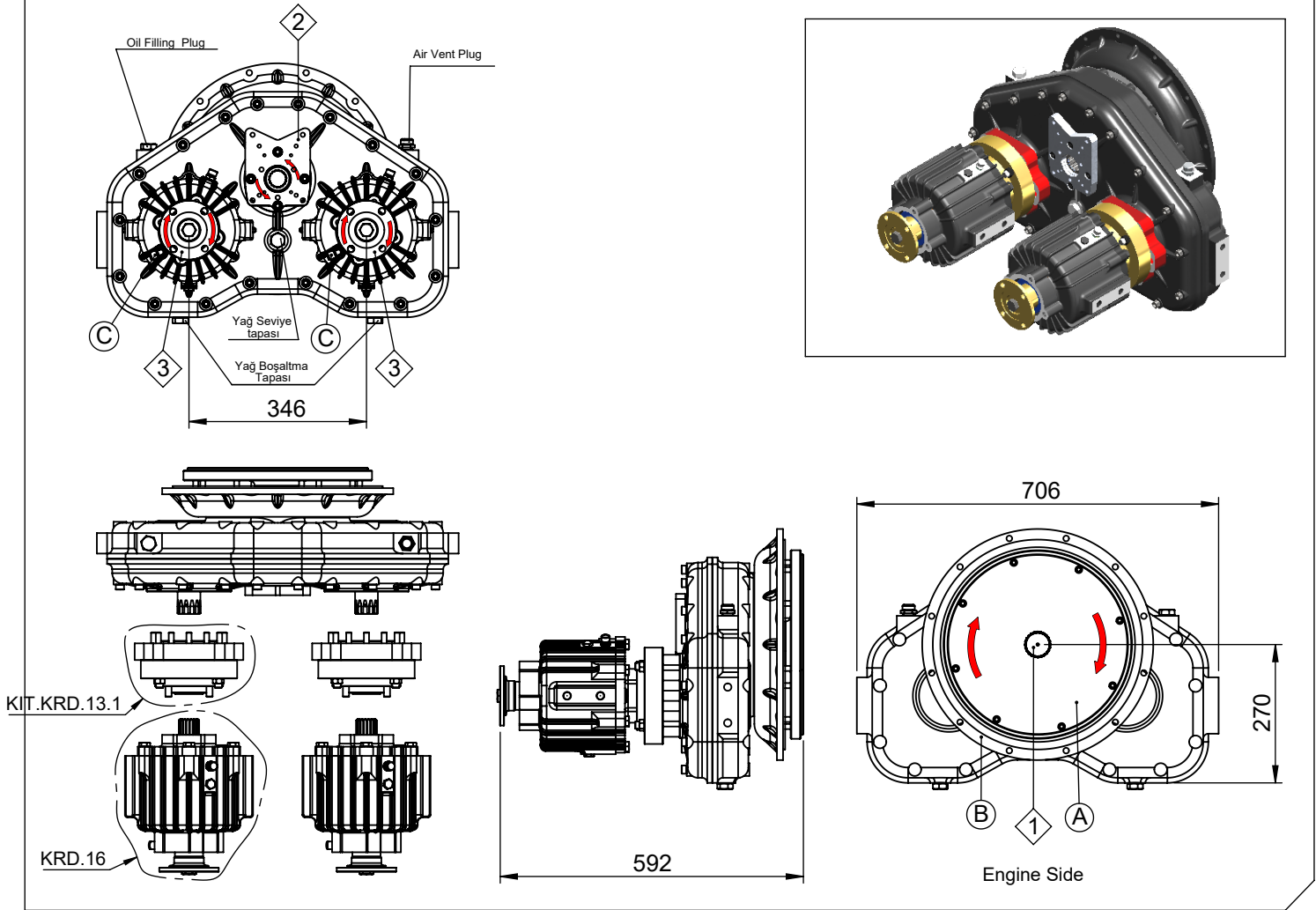


Connection Type	ENGINE CONNECTION
Gearbox Type	-

Product Code	KRD.13.A.2.SAE3.11 1/2 KIT.KRD.13.1 & KRD.16
Revision No- Date	02 / 22.02.2019

Products View



Options

- 1: Engine Housing
- 2: Pump Output; Group 1,2,3
- 3: Pump Output; SAE C Mounting - 21T 16/32 DP
- A: Flywheel Housing ; no :11,5
- B: Cover Housing ; SAE 3
- C: Air Inlet ; Engage/Disengage Clutch

Technical Data

Outputs	Power	Maximum Torque		Ratio	Mounting Side	Control Type
	(Kw)	Nm	Kgm			
1	240	2292	233.6	1/1	Engine Connection	Pneumatic Operating For Outputs
2	65	621	63.3	1/1	Weight (Kg)	Rotation Sense
3	110	1050	107	1/1,31	180	-



KOZANOĞLU
KOZMAKSAN

HYDRAULIC PUMPS & POWER TAKE-OFFS MANUFACTURING LIMITED CO.
HİDROLİK POMPA ve ARA ŞANZİMAN PTO İMALAT SAN.LTD.ŞTİ.

Ofis / Office
Tel. +90 312 354 05 39
Fax +90 312 354 34 59
7. Sokak No: 9
Ostim / ANKARA
e-mail: info@kozmaksan.com.tr

Fabrika / Factory
Tel. +90 312 267 39 71
Fax +90 312 267 38 72
AOS. 1. OSB. Erkunt Cad. No: 6
Sincan / ANKARA
Website: www.kozmaksan.com.tr